

75009690	DATA SHEET	
Valid from: 18.09.2020	EPIC® POWER LS1 KIT D6 6 PINS FEMALE	

Description

- Circular connector for servomotors and power supply
- High power at smallest installation space
- Optimal solution for electric motors
- EMC-optimised design
- Safety use in field environment by high protection class
- Complete connector with housing and insulation body, equipped with suitable crimp contacts



General Characteristics

Series	POWER LS 1
Version	Cable connector for female contacts
Pin configuration	5+PE
Rated voltage (V)	630 V
Rated impulse voltage	6 kV
Rated current (A)	25 A
Contact resistance	< 4 mOhm
Contacts	Gold plated brass
Number of contacts	5+PE
Termination methods	Crimp termination: 0.5 – 2,5 mm ²
Protection	IP 68 (latched)
Cycle of mechanical operation	500
Temperature range	-25°C to +125°C
Degree of soiling	3

Materials and Surfaces

Housing	Nickel-plated zinc die-casting, nickel-plated brass
Insert	PA
Seal	FPM/FKM
Contacts	Brass
Contact surface	Au

Approvals


VDE-Approval, VDE-REG.-Nr.	B025
UL-File-Number	E249137

Standard

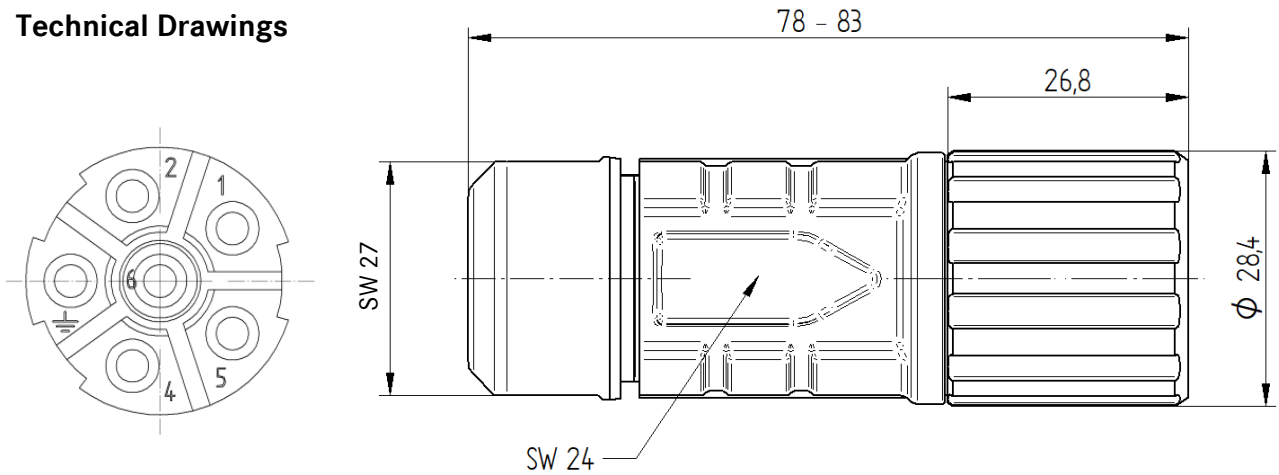
Safety Standard	IEC 61984, UL 2238, CSA C22.2 182.3
-----------------	-------------------------------------



Creator: STKU3/PDP Released: IVSE1/PDP	Document: DB75009690EN Version: 02	Page 1 of 3
---	---------------------------------------	-------------

75009690	DATA SHEET	
Valid from: 18.09.2020	EPIC® POWER LS1 KIT D6 6 PINS FEMALE	

Technical Drawings



Good chemical resistance



Corrosion-resistant



Industrial machinery and plant engineering



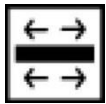
Maximum vibration protection



Mechanical resistance



Assembly time



Optimum strain relief



Space requirement



Robust

Creator: STKU3/PDP Released: IVSE1/PDP	Document: DB75009690EN Version: 02	Page 2 of 3
---	---------------------------------------	-------------

75009690	DATA SHEET	
Valid from: 18.09.2020	EPIC® POWER LS1 KIT D6 6 PINS FEMALE	



Integrated SKINTOP® cable gland



Waterproof



Wind Energy



Variety of approval certifications

Application range

Plant engineering

Servo drives and servo assemblies

Remark

Photographs are not to scale and do not represent detailed images of the respective products.

Creator: STKU3/PDP Released: IVSE1/PDP	Document: DB75009690EN Version: 02	Page 3 of 3
---	---------------------------------------	-------------

75009691	DATA SHEET	
Valid from: 18.09.2020	EPIC® POWER LS1 KIT A1 5+PE	

Description

- Circular connectors for servomotors and power supply
- High power at smallest installation space
- Optimal solution for electric motors
- EMC-optimised design
- Safety use in field environment by high protection class



General Characteristics

Series	POWER LS 1
Version	Front wall mounting for male contacts
Pin configuration	5+PE
Rated voltage (V)	630 V
Rated impulse voltage	6 kV
Rated current (A)	25 A
Contact resistance	< 4 mOhm
Contacts included	Yes
Contacts	Gold plated brass
Number of contacts	5+PE
Termination methods	Crimp termination: 0.5 - 2.5 mm ² (2 mm contacts)
Cable clamping range	Ø 2,7 mm (4x)
Protection	IP 68
Cycle of mechanical operation	500
Temperature range	-25°C to +125°C
Degree of soiling	3

Materials and Surfaces

Housing	Nickel-plated zinc die-casting, nickel-plated brass
Insert	PA
Seal	FPM

Approvals


VDE-Approval, VDE-REG.-Nr.	B025
UL-File-Number	E249137

Standard

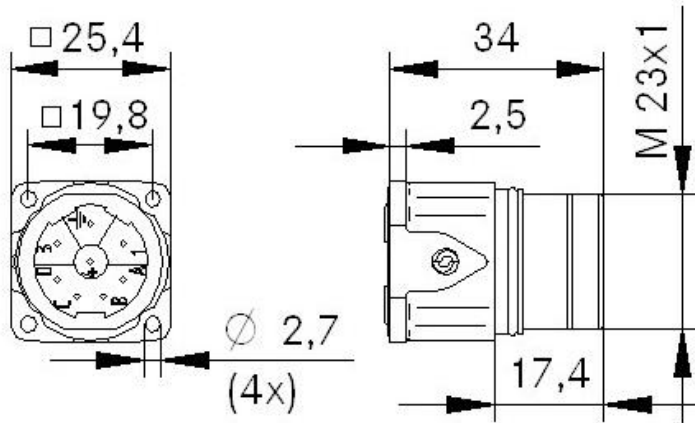
Safety Standard	IEC 61984, UL2238; CSA 22.2 182.3
-----------------	-----------------------------------



Creator: STKU3/PDP Released: IVSE1/PDP	Document: DB75009691EN Version: 01	Page 1 of 3
---	---------------------------------------	-------------

75009691	DATA SHEET	
Valid from: 18.09.2020	EPIC® POWER LS1 KIT A1 5+PE	

Technical Drawings



Good chemical resistance



Corrosion-resistant



Industrial machinery and plant engineering



Maximum vibration protection



Mechanical resistance



Assembly time



Space requirement



Robust

Creator: STKU3/PDP Released: IVSE1/PDP	Document: DB75009691EN Version: 01	Page 2 of 3
---	---------------------------------------	-------------

75009691	DATA SHEET	
Valid from: 18.09.2020	EPIC® POWER LS1 KIT A1 5+PE	



Waterproof



Wind Energy



Variety of approval certifications

Application range


Plant engineering

Servo drives and servo assemblies

Remark

Photographs are not to scale and do not represent detailed images of the respective products.

Creator: STKU3/PDP Released: IVSE1/PDP	Document: DB75009691EN Version: 01	Page 3 of 3
---	---------------------------------------	-------------

25009692	DATA SHEET	
Valid from: 18.09.2020	EPIC® POWER KIT LS1 A3 5+PE	

Description

- Circular connectors for servomotors and power supply
- High power at smallest installation space
- Optimal solution for electric motors
- EMC-optimised design
- Safety use in field environment by high protection class



General Characteristics

Series	POWER LS 1
Version	Angled, rotatable for male contacts
Pin configuration	5+PE
Rated voltage (V)	630 V
Rated impulse voltage	6 kV
Rated current (A)	25 A
Contact resistance	< 4 mOhm
Contacts included	Yes
Contacts	Gold plated brass
Number of contacts	5+PE
Termination methods	Crimp termination: 0.5 - 2.5 mm ²
Cable clamping range	Ø 2,7 mm (4x)
Protection	IP 65
Cycle of mechanical operation	500
Temperature range	-25°C to +125°C
Degree of soiling	3

Materials and Surfaces

Housing	Blue chromated (CrVI free), zinc die-casting
Insert	PA
Seal	FPM

Approvals


UL-File-Number	E249137
----------------	---------

Standard

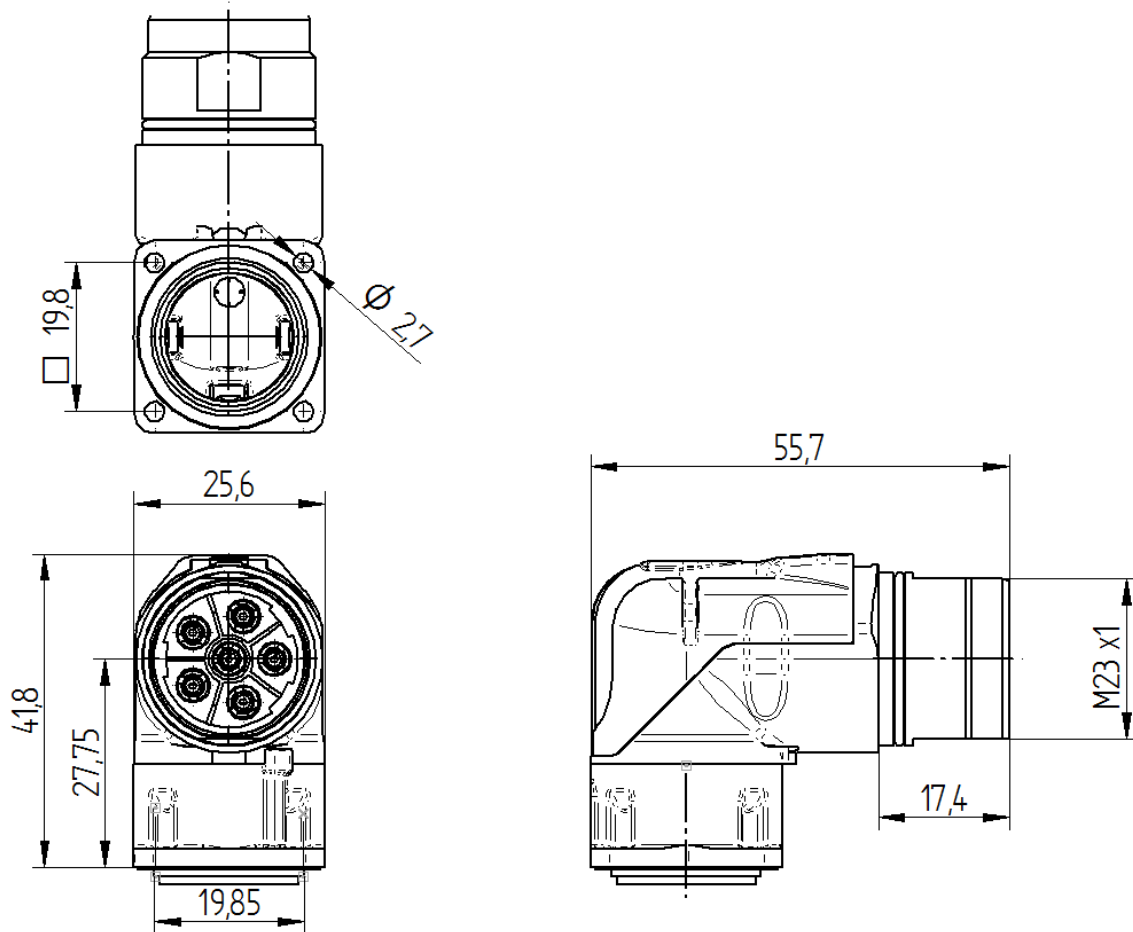
Safety Standard	IEC 61984; UL 2238; CSA 22.2 182.3
-----------------	------------------------------------



Creator: STKU3/PDP Released: IVSE1/PDP	Document: DB25009692EN Version: 02	Page 1 of 3
---	---------------------------------------	-------------

25009692	DATA SHEET	
Valid from: 18.09.2020	EPIC® POWER KIT LS1 A3 5+PE	

Technical Drawings



Good chemical resistance



Corrosion-resistant



Industrial machinery and plant engineering




Maximum vibration protection



Mechanical resistance

Creator: STKU3/PDP Released: IVSE1/PDP	Document: DB25009692EN Version: 02	Page 2 of 3
---	---------------------------------------	-------------

We reserve all rights according to DIN ISO 16016.
PD 0019/05_04.18EN

25009692	DATA SHEET	
Valid from: 18.09.2020	EPIC® POWER KIT LS1 A3 5+PE	



Assembly time



Space requirement



Robust



Waterproof



Wind Energy



Variety of approval certifications

Info

Rotateable with clearly defined adjustment positions

Application range

Plant engineering

Servo drives and servo assemblies

Remark

Photographs are not to scale and do not represent detailed images of the respective products.

Creator: STKU3/PDP Released: IVSE1/PDP	Document: DB25009692EN Version: 02	Page 3 of 3
---	---------------------------------------	-------------

75009693	DATA SHEET	
Valid from: 18.09.2020	EPIC® POWER LS1 KIT F6 5+PE	

Description

- Circular connectors for servomotors and power supply
- High power at smallest installation space
- Optimal solution for electric motors
- EMC-optimised design
- Safety use in field environment by high protection class



General Characteristics

Series	POWER LS 1
Version	Cable coupler for male contacts
Pin configuration	5+PE
Rated voltage (V)	630 V
Rated impulse voltage	6 kV
Rated current (A)	25 A
Contact resistance	< 4 mOhm
Contacts	Gold plated brass
Number of contacts	5+PE
Termination methods	Crimp termination: 0.5 – 2,5 mm ²
Protection	IP 68 (latched and locked)
Cycle of mechanical operation	500
Temperature range	-25°C to +125°C
Degree of soiling	3

Materials and Surfaces

Housing	Nickel-plated zinc die-casting
Insert	PA
Seal	FPM

Approvals


VDE-Approval, VDE-REG.-Nr.	B025
UL-File-Number	E249137

Standard

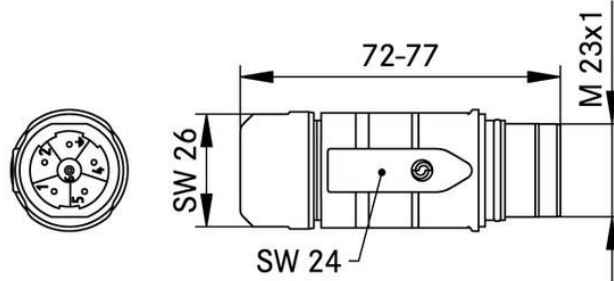
Safety Standard	IEC 61984; UL 2238; CSA 22.2 182.3
-----------------	------------------------------------



Creator: STKU3/PDP Released: IVSE1/PDP	Document: DB75009693EN Version: 01	Page 1 of 3
---	---------------------------------------	-------------

75009693	DATA SHEET	
Valid from: 18.09.2020	EPIC® POWER LS1 KIT F6 5+PE	

Technical Drawings



Good chemical resistance



Corrosion-resistant



Industrial machinery and plant engineering



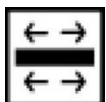
Maximum vibration protection



Mechanical resistance



Assembly time



Optimum strain relief



Space requirement

Creator: STKU3/PDP Released: IVSE1/PDP	Document: DB75009693EN Version: 01	Page 2 of 3
---	---------------------------------------	-------------

75009693	DATA SHEET	
Valid from: 18.09.2020	EPIC® POWER LS1 KIT F6 5+PE	



Robust



Integrated SKINTOP® cable gland



Waterproof



Wind Energy



Variety of approval certifications

Application range

Plant engineering

Servo drives and servo assemblies

Remark

Photographs are not to scale and do not represent detailed images of the respective products.

Creator: STKU3/PDP Released: IVSE1/PDP	Document: DB75009693EN Version: 01	Page 3 of 3
---	---------------------------------------	-------------